

General Features

CARTESIAN PALLETIZER available with one or multiple bays or, in the compact version, only with single bay: new generation palletizer, designed to have very small dimensions, ease of use, and low price. The sturdy supporting structure houses the recirculating ball guides on which the TERNA moves, an arm equipped with a gripping head that allows to easily pick up the products. The terna moves along the Cartesian axes X, Y and Z and it's controlled by BRUSHLESS or asynchronous MOTORS with inverters, according to the speeds and accuracies required. Following the set programming, the TERNA positions itself in the product pick-up point and lifts it thanks to the gripping head, equipped with a vacuum suction system, suction cup system or gripper system, depending on the type and weight of the object.

The PALLETIZER can be set in the simple configuration called "PALLET ON THE GROUND", in which the empty pallet is positioned by an operator with the hand pallet truck, inside a template fixed to the ground. The withdrawal of the filled pallet will take place in the same way with the hand pallet truck by an operator.

Specific Features

Overall dimensions starting from L 2200 mm x W 1350mm and, depending on the pallet, an height that can reach H. 2700 mm pallet included.

Pallet sizes that can be processed: all types of pallets (in the compact version: 800x1200 mm and 1000x1200).

Height: 1750 mm with pallet, 2700 mm with pallet, special versions H. up to 3000 mm.

Speed: up to 10 movements per minute.

Version: single pallet bay on the ground or version with automatic loading.

Gripping head: with suction cups, gripper, vacuum.

Product dimensions: minimum mm. 90x150x100h, maximum mm. 400x600x600h.

In the 4-sides open version it is possible to include different options: additional bay, interlayer application with storage, automatic pallet feeder, automatic loading and unloading roller conveyors for empty and full pallet, pallet stretch wrapping and depalletizing systems.

Details



PALLETIZER infeed belt equipped with optical sensors for products' reading. At this station, products are accurately presented at the picking station.



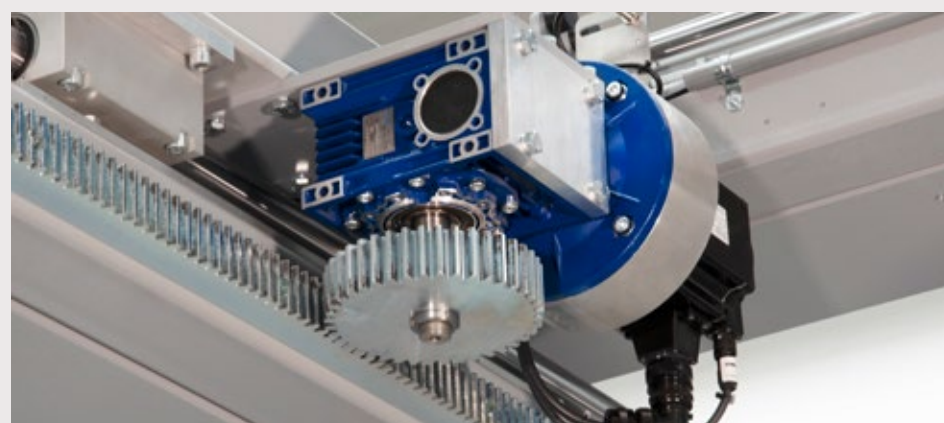
The 4-sides open version gives the possibility to increase the number of bays, even with an interlayer or empty pallet storage.



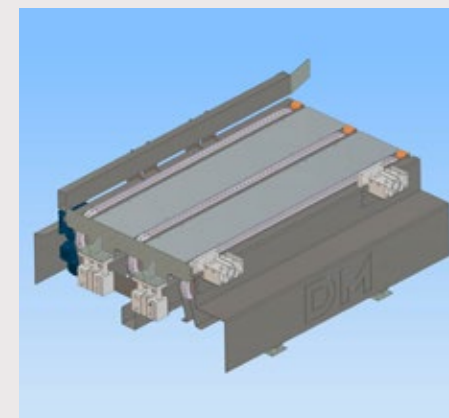
Possibility of integrating the Cartesian palletizer with external or internal pallet wrapping systems, depending on the space and customer needs.



Various types of gripping modules (possibility of automatic quick coupling and release).



The use of brushless motors allows an high precision in the packages positioning.



There are also available roller conveyor systems to load and unload empty or full pallets, depalletizing systems.

Technical Features

Mod.	TRON
Minimum sizes:	L 2200 x W 1350 mm
Height:	Up to 2700 mm pallet included
Pallet sizes:	800x1200/1000x1200 mm for compact TRON, any pallet for other versions
Pallet Height:	1750 mm with pallet, optional up to 2700 mm with pallet; special versions up to 3000 mm
Speed:	Up to 8-10 movements per minute
Version:	Single bay with pallet on the ground, automatic pallet loading version
Pick & place:	grippers, with suction cups, vacuum: customised based on the needs and product type
Product dimensions:	min 90x150x100h mm, max 400x600x600h mm
Optional:	Interlayer application, infeed and outfeed motorized roller conveyor, additional bays, stretch wrapper (only in the 4 sides open version) etc...

DM Pack S.r.l.

Sede operativa: Via dell'Artigianato, 34 - 36030 San Vito di Leguzzano (VI) Italy

Contatti: Tel. + 39 0445 580093 - Fax + 39 0445 584609 - Tel. e Fax + 39 0445 602907 - info@dmpack.it - www.dmpack.it



TRON

Automatic cartesian palletizers

IT

TRON

4 sides open and compact

Our range of Cartesian palletizers consists of two available models, able to satisfy customer's needs in terms of speed, dimensions and final configuration: COMPACT TRON and 4 SIDES OPEN TRON. Designed and built on sturdy load-bearing structures, they boast extreme accessibility and they are equipped with photoelectric barriers that guarantee to the operator to intervene safely in case of need.

The pick & place head can be customized according to the type of product to be palletized, and it is tailored to the product so that it can be handled delicately and positioned correctly before final placement. Compact design, reduced dimensions, precision and ease of use are the main features of the TRON line of Cartesian palletizers.

High quality components, ISO certificated



The use of brushless motors allows an high precision in the packages positioning.

Sturdy supporting structure with extremely reduced dimensions.

Compact version of Cartesian Tron is available in 2 heights: up to 1750 mm and up to 2700 mm (pallet included).

The gripping head moves along an arm that goes up and down along the main frame structure.

The palletizer is equipped with a centering system that allows it to receive products always in the same point before they are picked up and placed on the pallet; in this way, boxes are centered and their correct positioning on the pallet is guaranteed. After picking, the product will be placed on the pallet inside the structure, following the chosen palletization scheme.

OMRON safety barriers that allow the operator to intervene safely.

Controlled by Siemens or Omron PLC. Intuitive HMI.

